

A
B
C
D

WT

SECTION

ROAD WHEELS & TIRES

CONTENTS

WT

| | |
|---|--|
| <p>NOISE, VIBRATION AND HARSHNESS (NVH)</p> <p>TROUBLESHOOTING 2</p> <p style="padding-left: 20px;">NVH Troubleshooting Chart 2</p> <p>ROAD WHEEL 3</p> <p style="padding-left: 20px;">Inspection 3</p> <p style="padding-left: 40px;">ALUMINUM WHEEL 3</p> <p style="padding-left: 40px;">STEEL WHEEL 3</p> <p>ROAD WHEEL TIRE ASSEMBLY 4</p> <p style="padding-left: 20px;">Balancing Wheels (Bonding Weight Type) 4</p> <p style="padding-left: 40px;">REMOVAL 4</p> <p style="padding-left: 40px;">WHEEL BALANCE ADJUSTMENT 4</p> <p style="padding-left: 20px;">Rotation 5</p> <p style="padding-left: 40px;">DESCRIPTION 5</p> <p>LOW TIRE PRESSURE WARNING SYSTEM 7</p> <p style="padding-left: 20px;">System Components 7</p> <p style="padding-left: 20px;">System Description 7</p> <p style="padding-left: 40px;">TRANSMITTER 7</p> <p style="padding-left: 40px;">REMOTE KEYLESS ENTRY RECEIVER 7</p> <p style="padding-left: 40px;">BCM (BODY CONTROL MODULE) 8</p> <p style="padding-left: 40px;">LOW TIRE PRESSURE WARNING LAMP 8</p> <p>CAN COMMUNICATION 9</p> <p style="padding-left: 20px;">System Description 9</p> <p>TROUBLE DIAGNOSES 10</p> <p style="padding-left: 20px;">Wiring Diagram 10</p> <p style="padding-left: 20px;">Control Unit Input/Output Signal Standard 12</p> <p style="padding-left: 20px;">ID Registration Procedure 14</p> <p style="padding-left: 40px;">ID REGISTRATION WITH ACTIVATION TOOL.. 14</p> <p style="padding-left: 40px;">ID REGISTRATION WITHOUT CTIVATION TOOL 15</p> <p style="padding-left: 20px;">Transmitter Wake Up Operation 16</p> <p style="padding-left: 40px;">WITH ACTIVATION TOOL 16</p> <p style="padding-left: 20px;">Self-Diagnosis 17</p> <p style="padding-left: 40px;">DESCRIPTION 17</p> <p style="padding-left: 40px;">FUNCTION 17</p> <p style="padding-left: 20px;">LOW TIRE PRESSURE WARNING LAMP DIAG- NOSTIC CHART 17</p> <p style="padding-left: 20px;">CONSULT-II 18</p> <p style="padding-left: 20px;">WORK SUPPORT MODE 19</p> | <p style="padding-left: 40px;">SELF-DIAGNOSTIC RESULTS MODE 19</p> <p style="padding-left: 40px;">DATA MONITOR MODE 20</p> <p style="padding-left: 40px;">ACTIVE TEST MODE 21</p> <p style="padding-left: 20px;">How to Perform Trouble Diagnosis for Quick and Accurate Repair 23</p> <p style="padding-left: 40px;">INTRODUCTION 23</p> <p style="padding-left: 40px;">WORK FLOW 23</p> <p style="padding-left: 20px;">Preliminary Check 24</p> <p style="padding-left: 20px;">Malfunction Code/Symptom Chart 25</p> <p>TROUBLE DIAGNOSIS FOR SELF-DIAGNOSTIC ITEMS 26</p> <p style="padding-left: 20px;">Inspection 1: Transmitter or Control Unit (BCM) 26</p> <p style="padding-left: 40px;">MALFUNCTION CODE NO. 21, 22, 23 OR 24 ... 26</p> <p style="padding-left: 20px;">Inspection 2: Transmitter - 1 26</p> <p style="padding-left: 40px;">MALFUNCTION CODE NO. 31, 32, 33, 34, 41, 42, 43, 44, 45, 46, 47 OR 48 26</p> <p style="padding-left: 20px;">Inspection 3: Transmitter - 2 27</p> <p style="padding-left: 40px;">MALFUNCTION CODE NO. 35, 36, 37 OR 38 ... 27</p> <p style="padding-left: 20px;">Inspection 4: Vehicle Speed Signal 28</p> <p style="padding-left: 40px;">MALFUNCTION CODE NO. 52 28</p> <p>TROUBLE DIAGNOSIS FOR SYMPTOMS 29</p> <p style="padding-left: 20px;">Inspection 1: Warning Lamp Does Not Come On When Ignition Switch Is Turned On 29</p> <p style="padding-left: 20px;">Inspection 2: Warning Lamp Stays On When Ignition Switch Is Turned On 29</p> <p style="padding-left: 20px;">Inspection 3: Warning Lamp Blinks When Ignition Switch Is Turned On 31</p> <p style="padding-left: 20px;">Inspection 4: Turn Signal Lamp Blinks When Ignition Switch Is Turned On 32</p> <p style="padding-left: 20px;">Inspection 5: ID Registration Can not Be Completed.. 32</p> <p>REMOVAL AND INSTALLATION 33</p> <p style="padding-left: 20px;">Transmitter 33</p> <p style="padding-left: 40px;">REMOVAL 33</p> <p style="padding-left: 40px;">INSTALLATION 33</p> <p>SERVICE DATA AND SPECIFICATIONS (SDS) 35</p> <p style="padding-left: 20px;">Road Wheel 35</p> <p style="padding-left: 20px;">Tire 35</p> |
|---|--|

F
G
H
I
J
K
L
M

NOISE, VIBRATION AND HARSHNESS (NVH) TROUBLESHOOTING

NOISE, VIBRATION AND HARSHNESS (NVH) TROUBLESHOOTING

PFP:00003

NVH Troubleshooting Chart

AES000G1

Use the chart below to help you find the cause of the symptom. If necessary, repair or replace these parts.

| Symptom | | Possible cause and SUSPECTED PARTS | | | | | | | | | | | | | | Reference page | | | |
|------------|-------------------------------|------------------------------------|--------------|-----------|-------------------------|------------------|-----------------------|----------------|---------------------|-----------------|--------------|---------------------------------|-------------------------------|-------|-------------|----------------|-------|----------|------------------------------|
| | | Improper installation, looseness | Out-of-round | Imbalance | Incorrect tire pressure | Uneven tire wear | Deformation or damage | Non-uniformity | Incorrect tire size | PROPELLER SHAFT | DIFFERENTIAL | FRONT AXLE AND FRONT SUSPENSION | REAR AXLE AND REAR SUSPENSION | TIRES | ROAD WHEELS | DRIVE SHAFT | BRAKE | STEERING | |
| TIRES | Noise | x | x | x | x | x | x | x | | x | x | x | x | | x | x | x | x | FAX-4, FSU-8 |
| | Shake | x | x | x | x | x | x | | x | x | | x | x | | x | x | x | x | WT-3 |
| | Vibration | | | | x | | | | x | x | | x | x | | | | | | WT-4 |
| | Shimmy | x | x | x | x | x | x | x | x | | | x | x | | x | | x | x | WT-35 |
| | Judder | x | x | x | x | x | x | | x | | | x | x | | x | | x | x | — |
| | Poor quality ride or handling | x | x | x | x | x | x | | x | | | x | x | | x | | | | — |
| | | | | | | | | | | | | | | | | | | | — |
| | | | | | | | | | | | | | | | | | | | WT-35 |
| ROAD WHEEL | Noise | x | x | x | | | | x | | x | x | x | x | | x | x | x | x | NVH in PR section. |
| | Shake | x | x | x | | | | x | | x | | x | x | | x | x | x | x | NVH in RFD section. |
| | Shimmy, Judder | x | x | x | | | | x | | | | x | x | | | | x | x | NVH in FAX and FSU sections. |
| | Poor quality ride or handling | x | x | x | | | | x | | | | x | x | | x | | | | NVH in RAX and RSU sections. |

x: Applicable

ROAD WHEEL

ROAD WHEEL

PFP:40300

Inspection

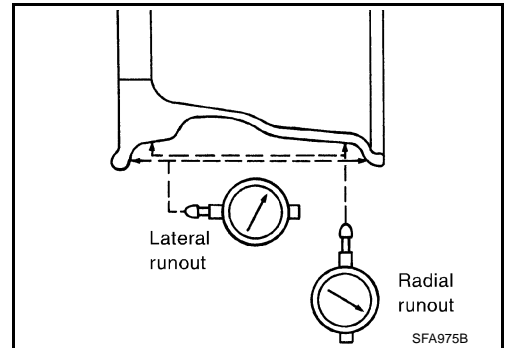
ALUMINUM WHEEL

AES000G2

1. Check tires for wear and improper inflation.
2. Check wheels for deformation, cracks and other damage. If deformed, remove wheel and check wheel runout.
 - a. Remove tire from aluminum wheel and mount on a tire balance machine.
 - b. Set dial indicator as shown in the figure.

Wheel runout (Dial indicator value):

Refer to [WT-35, "Road Wheel"](#) .



STEEL WHEEL

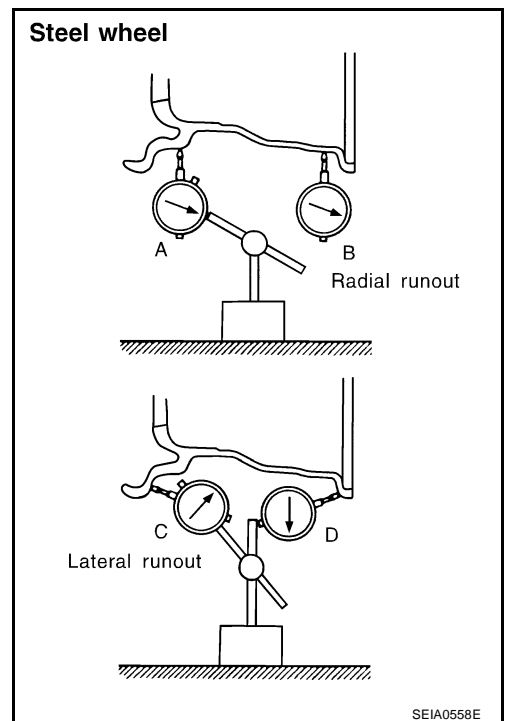
1. Check tires for wear and improper inflation.
2. Check wheels for deformation, cracks and other damage. If deformed, remove wheel and check wheel runout.
 - a. Remove tire from steel wheel and mount wheel on a tire balance machine.
 - b. Set two dial indicators as shown in the figure.
 - c. Set each dial indicator to 0.
 - d. Rotate wheel and check dial indicators at several points around the circumference of the wheel.
 - e. Calculate runout at each point as shown below.

$$\text{Radial runout} = (A+B)/2$$

$$\text{Lateral runout} = (C+D)/2$$

- f. Select maximum positive runout value and the maximum negative value. Add the two values to determine total runout. In case a positive or negative value is not available, use the maximum value (negative or positive) for total runout. If the total runout value exceeds the limit, replace steel wheel.

Wheel runout : Refer to [WT-35, "Road Wheel"](#) .



A

B

C

D

WT

F

G

H

I

J

K

L

M

ROAD WHEEL TIRE ASSEMBLY

ROAD WHEEL TIRE ASSEMBLY

PFP:40300

Balancing Wheels (Bonding Weight Type) REMOVAL

AES000G3

1. Remove inner and outer balance weights from the road wheel.

CAUTION:

Be careful not to scratch the road wheel during removal.

2. Using releasing agent, remove double-faced adhesive tape from the road wheel.

CAUTION:

- **Be careful not to scratch the road wheel during removal.**
- **After removing double-faced adhesive tape, wipe clean traces of releasing agent from the road wheel.**

WHEEL BALANCE ADJUSTMENT

- If a tire balance machine has adhesion balance weight mode settings and drive-in weight mode setting, select and adjust a drive-in weight mode suitable for road wheels.

1. Set road wheel on wheel balancer using the center hole as a guide. Start the tire balance machine.
2. When inner and outer unbalance values are shown on the wheel balancer indicator, multiply outer unbalance value by $5/3$ to determine balance weight that should be used. Select the outer balance weight with a value closest to the calculated value above and install it to the designated outer position of, or at the designated angle in relation to the road wheel.

CAUTION:

- **Do not install the inner balance weight before installing the outer balance weight.**
- **Before installing the balance weight, be sure to clean the mating surface of the road wheel.**

Indicated unbalance value $\times 5/3$ = balance weight to be installed

Calculation example:

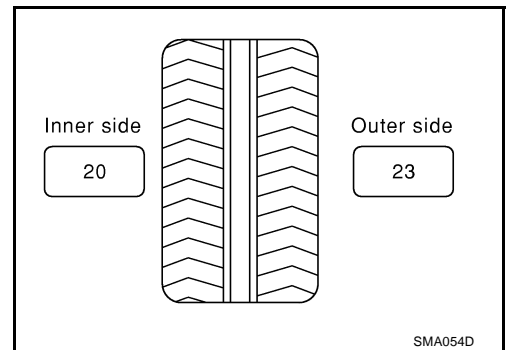
$23 \text{ g (0.81 oz)} \times 5/3 = 38.33 \text{ g (1.35 oz)} = 40 \text{ g (1.41 oz)}$ balance weight (closer to calculated balance weight value)

Note that balance weight value must be closer to the calculated balance weight value.

Example:

$37.4 = 35 \text{ g (1.23 oz)}$

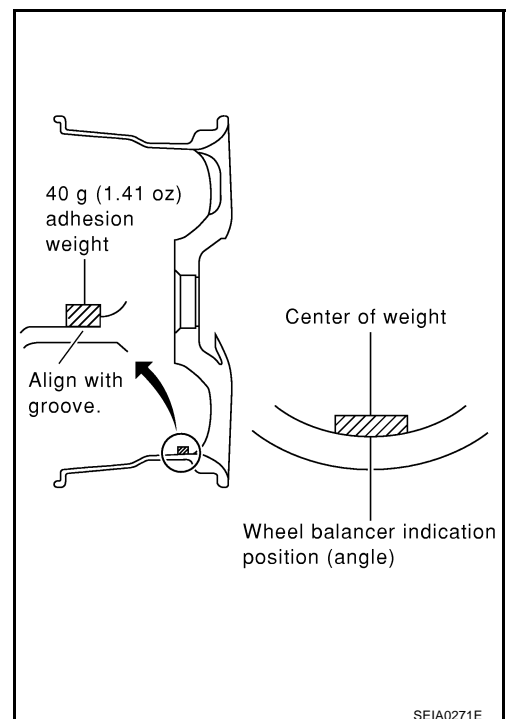
$37.5 = 40 \text{ g (1.41 oz)}$



- a. Install balance weight in the position shown in the figure.
- b. When installing balance weight to road wheels, set it into the grooved area on the inner wall of the road wheel as shown in the figure so that the balance weight center is aligned with the wheel balancer indication position (angle).

CAUTION:

- **Always use genuine NISSAN adhesion balance weights.**
- **Balance weights are un reusable; always replace with new ones.**
- **Do not install more than three sheets of balance weight.**



ROAD WHEEL TIRE ASSEMBLY

- c. If calculated balance weight value exceeds 50 g (1.76 oz), install two balance weight sheets in line with each other as shown in the figure.

CAUTION:

Do not install one balance weight sheet on top of another.

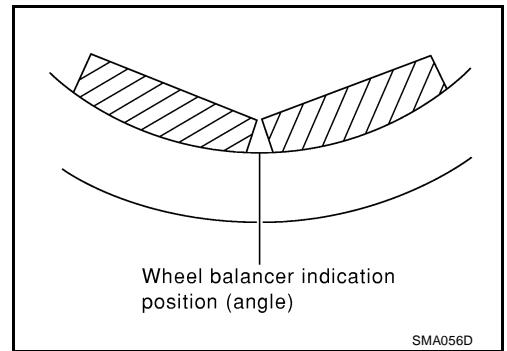
3. Start wheel balancer again.
4. Install drive-in balance weight on inner side of road wheel in the wheel balancer indication position (angle).

CAUTION:

Do not install more than two balance weights.

5. Start wheel balancer. Make sure that inner and outer residual unbalance values are 10 g (0.35 oz) each or below.
- If either residual unbalance value exceeds 10 g (0.35 oz), repeat installation procedures.

Wheel balance (Maximum allowable unbalance):



| | | |
|-----------------------------|-------------------------|-------------------------------------|
| Maximum allowable unbalance | Dynamic (At rim flange) | Less than 10 g (0.35 oz) (one side) |
| | Static (At rim flange) | Less than 20 g (0.70 oz) |

Rotation

AES000G4

Tires of this model can not rotate.

CAUTION:

When installing wheels, tighten them diagonally by dividing the work two to three times in order to prevent the wheels from developing any distortion.

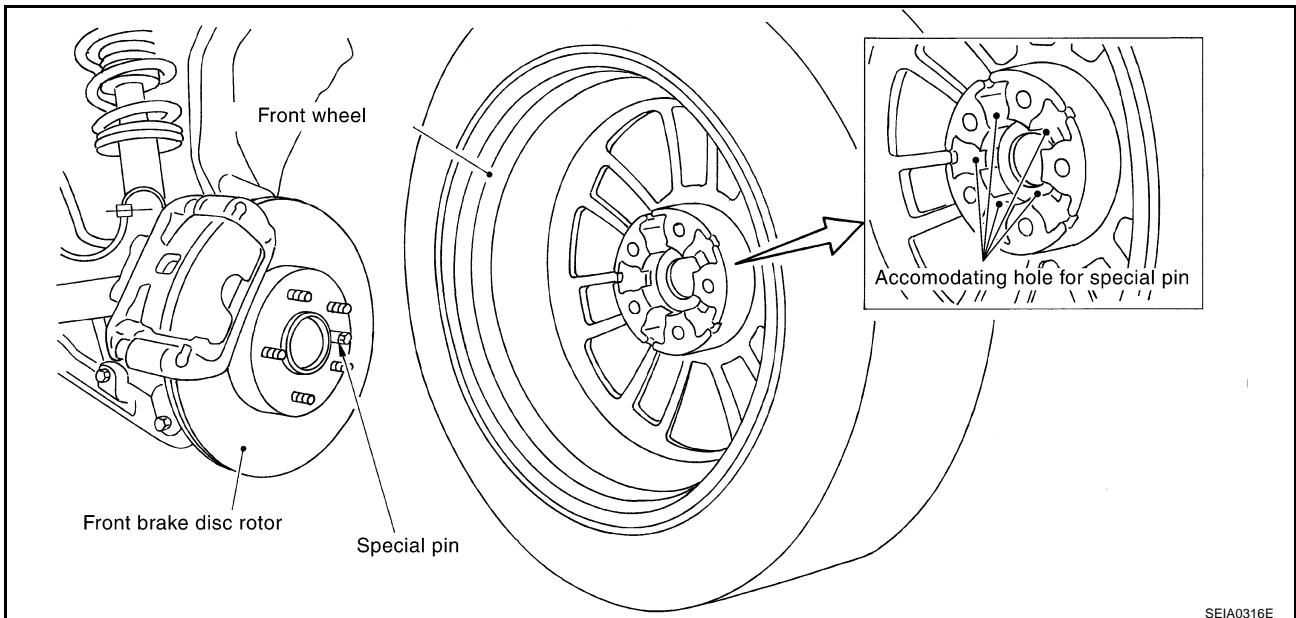
Tightening torque of wheel nut:
108 N-m (11 kg-m, 80 ft-lb)

DESCRIPTION

Safety Device Preventing from Being Incorrectly Installed

Front brake disc rotor and front wheel

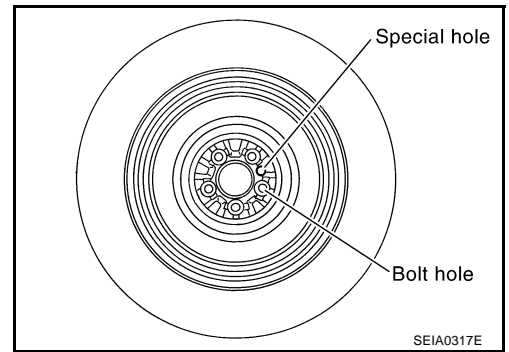
- Front and rear wheel size for this model differs, therefore a special pin has been installed on the front brake disc rotor. To accommodate this pin a hole has been provided on the front wheel (the rear wheel does not have this hole.) and in some case the rear wheel is being mistakenly installed on the front.



ROAD WHEEL TIRE ASSEMBLY

T-type spare tire wheel

- T-type spare tire wheel for this model has a special hole designed to avoid the pin on front disc rotor.



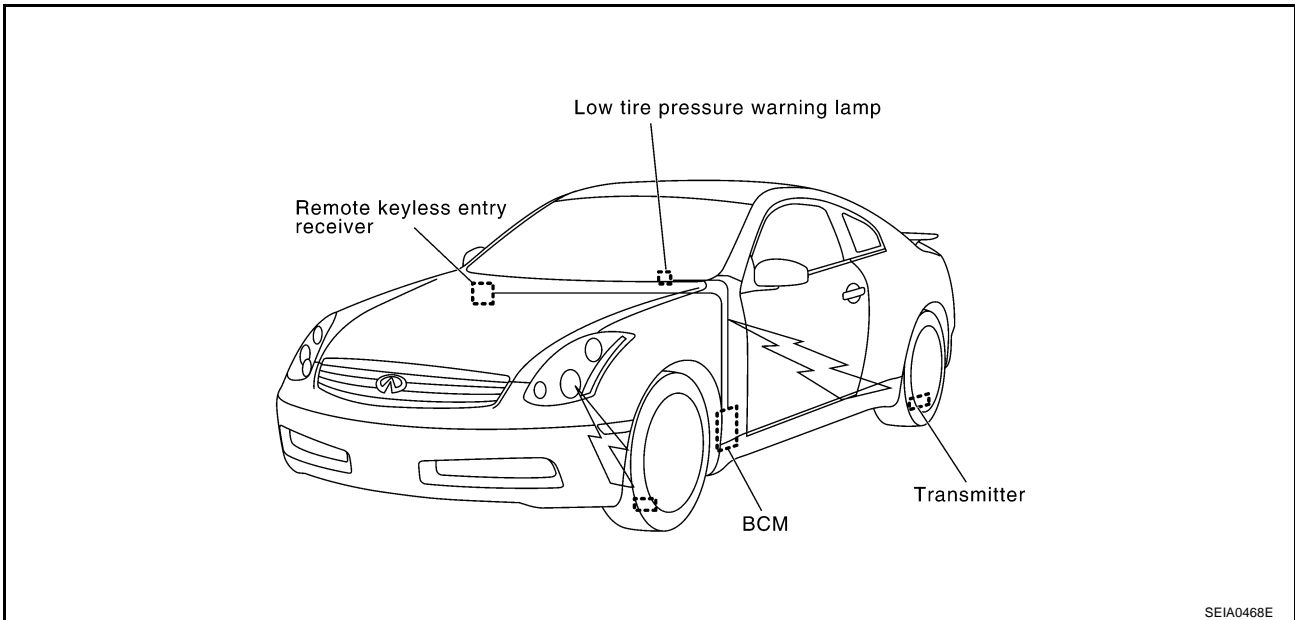
LOW TIRE PRESSURE WARNING SYSTEM

LOW TIRE PRESSURE WARNING SYSTEM

PFP:40300

System Components

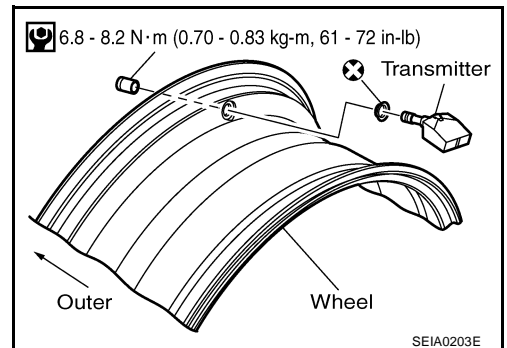
AES00107



System Description TRANSMITTER

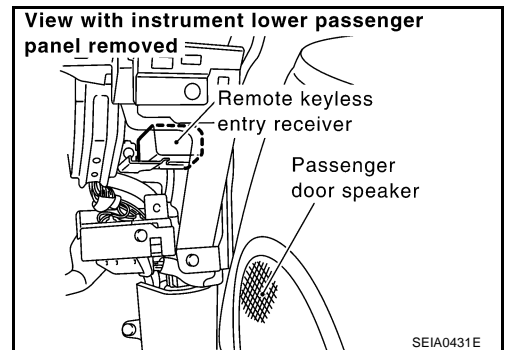
AES00108

A sensor-transmitter integrated with a valve is installed on a wheel, and transmits a detected air pressure signal in the form of a radio wave.



REMOTE KEYLESS ENTRY RECEIVER

The remote keyless entry receiver receives the air pressure signal transmitted by the transmitter in each wheel.



A
B
C
D
WT
F
G
H
I
J
K
L
M

LOW TIRE PRESSURE WARNING SYSTEM

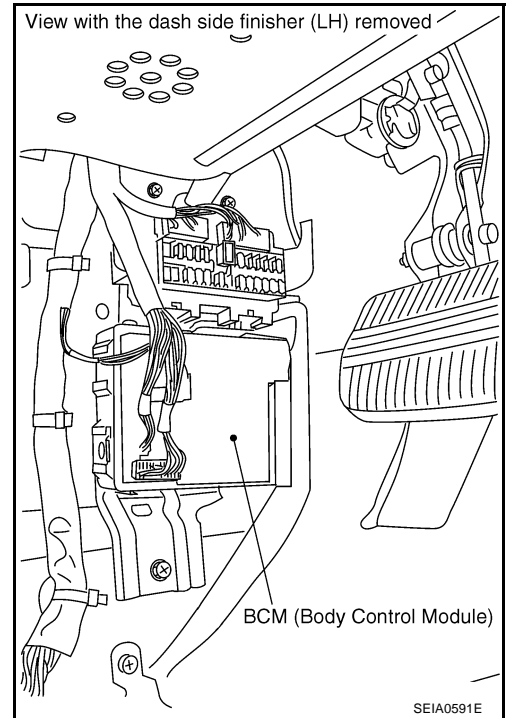
BCM (BODY CONTROL MODULE)

The BCM reads the air pressure signal received by the remote keyless entry receiver, and controls the low tire pressure warning lamp and the buzzer operations as shown below. It also has a judgement function to detect a system malfunction.

| Condition | Warning lamp | Buzzer |
|--|--------------|--------------------|
| Less than 171 kPa (1.71 kg/cm ² , 25 psi) [Flat tire] (Note 1) | ON | Sounds for 10 sec. |
| Less than 194 kPa (1.94 kg/cm ² , 28 psi) [Flat tire] (Note 2) | | |
| System malfunction | ON | OFF |

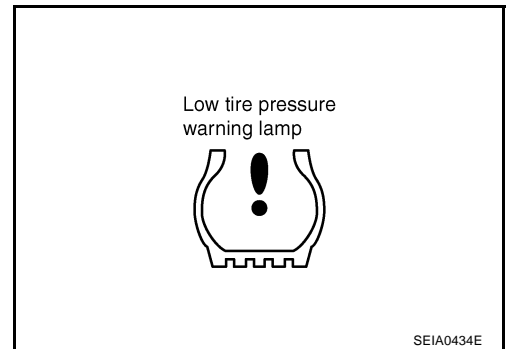
Note 1: Standard air pressure is for 210 kPa (2.1 kg/cm², 30 psi) vehicles.

Note 2: Standard air pressure is for 240 kPa (2.4 kg/cm², 35 psi) vehicles.



LOW TIRE PRESSURE WARNING LAMP

The combination meter receives tire pressure status from the BCM using CAN communication. When a low tire pressure condition is sensed by the BCM, the combination meter low tire pressure warning lamp and buzzer are activated.



CAN COMMUNICATION

PFP:23710

System Description

AES00109

CAN (Controller Area Network) is a serial communication line for real time application. It is an on-vehicle multiplex communication line with high data communication speed and excellent error detection ability. Many electronic control units are equipped onto a vehicle, and each control unit shares information and links with other control units during operation (not independent). In CAN communication, control units are connected with 2 communication lines (CAN H line, CAN L line) allowing a high rate of information transmission with less wiring. Each control unit transmits/receives data but selectively reads required data only.

Refer to [LAN-4, "CAN COMMUNICATION"](#) .

A
B
C
D

WT

F
G
H
I
J
K
L
M

TROUBLE DIAGNOSES

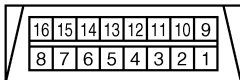
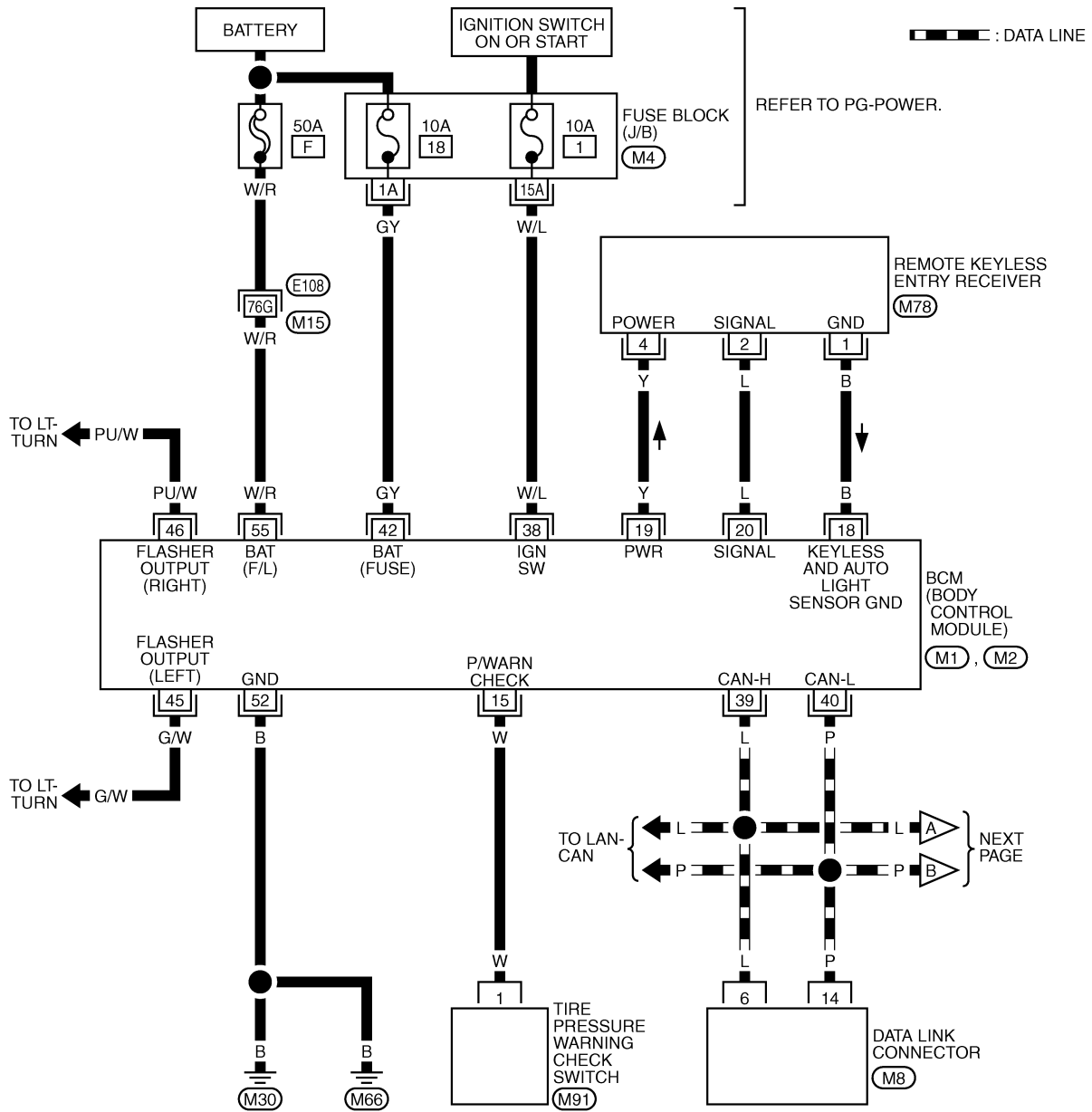
TROUBLE DIAGNOSES

PFP:00004

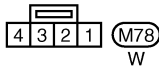
Wiring Diagram

AES0010B

WT-T/WARN-01



(M8)
W



(M78)
W



(M91)
W

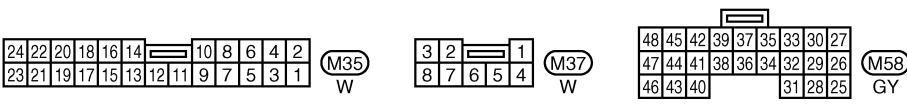
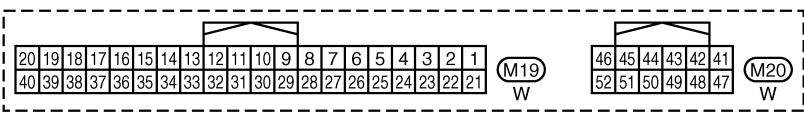
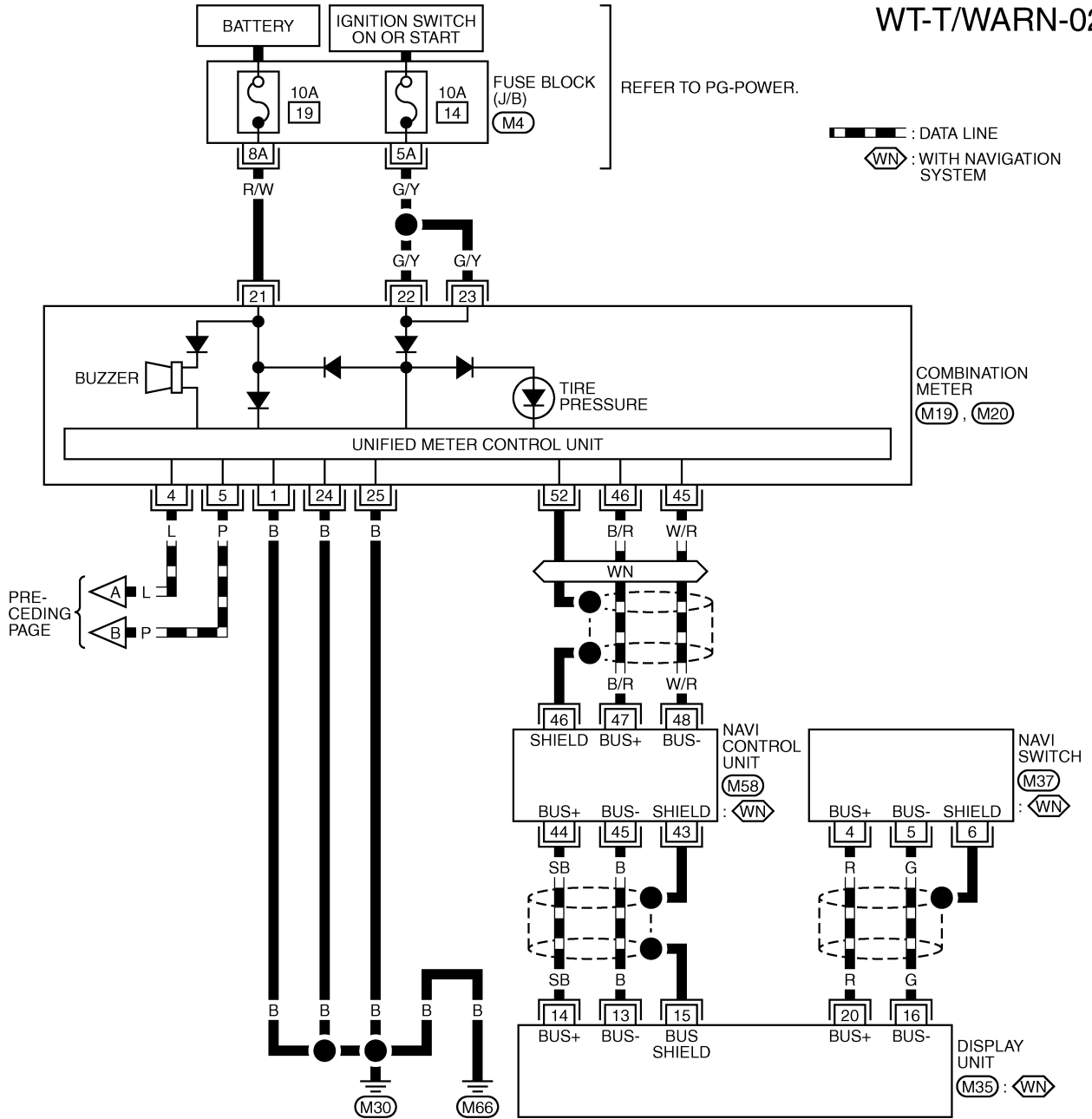
REFER TO THE FOLLOWING.

- (E108) -SUPER MULTIPLE JUNCTION (SMJ)
- (M4) -FUSE BLOCK-JUNCTION BOX (J/B)
- (M1), (M2) -ELECTRICAL UNITS

TEWM0109E

TROUBLE DIAGNOSES

WT-T/WARN-02



REFER TO THE FOLLOWING.
 (M4) - FUSE BLOCK-JUNCTION BOX (J/B)

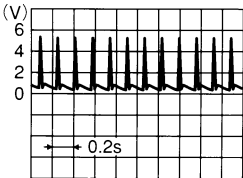
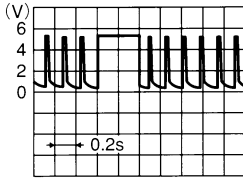
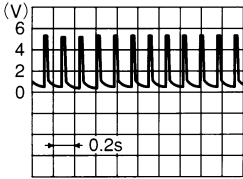
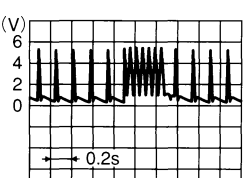
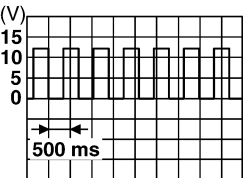
TEWM0110E

TROUBLE DIAGNOSES

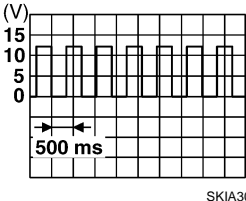
Control Unit Input/Output Signal Standard

AES0010C

Standards using a circuit tester and oscilloscope

| Terminal | | Item | Condition | Voltage (V) Approx. value | |
|----------|--------------------|---|---|---|----------|
| + | - | | | | |
| 15 (W) | Ground | Tire pressure warning check connector | Always | 5V | |
| 18 (B) | | Remote keyless entry receiver (Ground) | — | 0V | |
| 19 (Y) | | Remote keyless entry receiver (Power supply) | Stand-by |  | OCC3879D |
| | | | Press any of the keyfob switches |  | OCC3882D |
| 20 (L) | | Remote keyless entry receiver (Signal) | Stand-by |  | OCC3881D |
| | | | Press any of the keyfob switches |  | OCC3880D |
| 38 (W/L) | | Ignition switch | Ignition switch ON or START | Battery voltage (12V) | |
| 39 (L) | | Data line (CAN H) | — | — | |
| 40 (P) | | Data line (CAN L) | — | — | |
| 42 (GY) | | Battery power supply (Fuse) | Always | Battery voltage (12V) | |
| 45 (G/W) | Turn signal (left) | <ul style="list-style-type: none"> ● Ignition switch ON ● Combination switch is turn signal (left) ON |  | SKIA3009J | |

TROUBLE DIAGNOSES

| Terminal | | Item | Condition | Voltage (V) Approx. value |
|-----------|--------|----------------------------|--|---|
| + | - | | | |
| 46 (PU/W) | Ground | Turn signal (right) | <ul style="list-style-type: none"> ● Ignition switch ON ● Combination switch is turn signal (right) ON |  |
| 52 (B) | | Ground | — | 0V |
| 55 (W/R) | | Battery power supply (F/L) | Always | Battery voltage (12V) |

(): Wire color

A
B
C
D
E
F
G
H
I
J
K
L
M

WT

TROUBLE DIAGNOSES

AES0010D

ID Registration Procedure

ID REGISTRATION WITH ACTIVATION TOOL

This procedure must be done after replacement of a transmitter or BCM.

CAUTION:

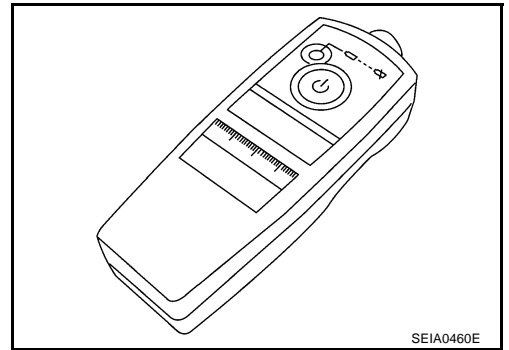
If CONSULT-II is used with no connection of CONSULT-II CONVERTER, malfunction might be detected during self-diagnosis depending on control unit which performs CAN communication.

1. With the ignition switch OFF, connect CONSULT-II and CONSULT-II CONVERTER to the data link connector, then turn the ignition switch ON.
2. Select "START (NISSAN BASED VHCL)".
3. Select "BCM" on "SELECT SYSTEM" screen.

NOTE:

If "BCM" is not indicated, go to [GI-38, "CONSULT-II Data Link Connector \(DLC\) Circuit"](#) .

4. Select "AIR PRESSURE MONITOR" on "SELECT WORK ITEM" screen.
5. Select "WORK SUPPORT" on "SELECT DIAG MODE" screen, and select "ID REGIST".
6. With the transmitter activation tool (J-45295) pushed against the front-left transmitter position of the tire air valve, press the button then keep 5 seconds.



7. Register the IDs in order from FR LH, FR RH, RR RH or RR LH. When ID registration of each wheel has been completed, a buzzer sounds and turn signal lamp (LH/ RH) blinks.

| Activation tire position | Buzzer | Turn signal lamp | CONSULT-II |
|--------------------------|---------|------------------|----------------------|
| 1 Front LH | Once | 2 times flashing | "YET" ↓ "DONE" |
| 2 Front RH | 2 times | | |
| 3 Rear RH | 3 times | | |
| 4 Rear LH | 4 times | | |

8. After completing all ID registrations, press "END" to complete the procedure.

NOTE:

Be sure to register the IDs in order from FR LH, FR RH, RR RH, to RR LH, or the self-diagnostic results display will not function properly.

TROUBLE DIAGNOSES

ID REGISTRATION WITHOUT CTIVATION TOOL

This procedure must be done after replacement of a transmitter or BCM.

CAUTION:

If CONSULT-II is used with no connection of CONSULT-II CONVERTER, malfunction might be detected during self-diagnosis depending on control unit which performs CAN communication.

1. With the ignition switch OFF, connect CONSULT-II and CONSULT-II CONVERTER to the data link connector, then turn the ignition switch ON.
2. Select "START (NISSAN BASED VHCL)".
3. Select "BCM" on "SELECT SYSTEM" screen.

NOTE:

If "BCM" is not indicated, go to [GI-38. "CONSULT-II Data Link Connector \(DLC\) Circuit"](#) .

4. Select "AIR PRESSURE MONITOR" on "SELECT WORK ITEM" screen.
5. Select "WORK SUPPORT" on "SELECT DIAG MODE" screen, and select "ID REGIST".
6. Adjust the tire pressure to the values shown in the table below for ID registration, and drive the vehicle at 40 km/h (25 MPH) or more for a few minutes.

| Tire position | Tire pressure kPa (kg/cm ² , psi) |
|---------------|--|
| Front – Left | 240 (2.4, 34) |
| Front – Right | 220 (2.2, 31) |
| Rear – Right | 200 (2.0, 29) |
| Rear – Left | 180 (1.8, 26) |

7. After completing all ID registrations, press "END" to complete the procedure.

| Activation tire position | CONSULT-II |
|--------------------------|----------------------|
| Front LH | "YET" ↓ "DONE" |
| Front RH | |
| Rear RH | |
| Rear LH | |

8. Inflate all tires to proper pressure. Refer to [WT-35. "Tire"](#) .

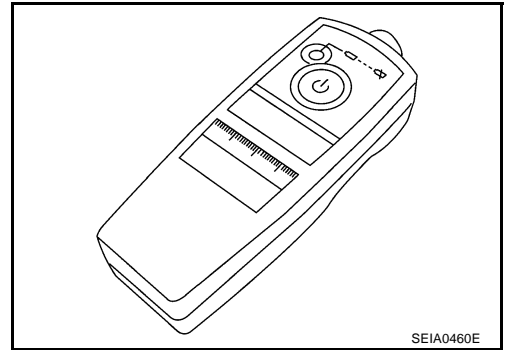
A
B
C
D
WT
F
G
H
I
J
K
L
M

TROUBLE DIAGNOSES

Transmitter Wake Up Operation WITH ACTIVATION TOOL

AES0010E

1. With the transmitter activation tool (J-45295) pushed against the front-left transmitter, press the button for 5 seconds.
 - When ignition switch ON, as the low tire pressure warning lamp blinks per the follow diagram, the respective transmitter then must be woken up.



| Warning lamp blinking timing | | Need to activation tire position |
|------------------------------|--------------------------|----------------------------------|
| ON OFF | a : 0.3sec b : 1.3sec | Front LH |
| ON OFF | a : 0.3sec b : 1.3sec | Front RH |
| ON OFF | a : 0.3sec b : 1.3sec | Rear RH |
| ON OFF | a : 0.3sec b : 1.3sec | Rear LH |
| ON OFF | a : 2sec b : 0.2sec | All tire |

SEIA0378E

2. Register the ID of wheel that warning lamp flashes. When wake up of registered wheel has been completed, turn signal lamp flashes two times.
3. After completing wake up all transmitters, make sure low tire pressure warning lamp goes out.

TROUBLE DIAGNOSES

AES0010F






Self-Diagnosis DESCRIPTION

During driving, the low tire pressure warning system receives the signal transmitted from the transmitter installed in each wheel, and gives alarms when the tire pressure becomes low. The control unit (BCM) of this system has pressure judgement and trouble diagnosis functions.

FUNCTION



When the low tire pressure warning system detects low inflation pressure or another unusual symptom, the warning lamps in the combination meter comes on. To start the self-diagnostic results mode, ground terminal of the tire pressure warning check connector. The malfunction location is indicated by the warning lamp flashing and the buzzer sounds.

LOW TIRE PRESSURE WARNING LAMP DIAGNOSTIC CHART

| Diagnosis Item | Symptom (Ignition switch ON) | Low tire pressure warning lamp | Cause | Action |
|--------------------------------|--|---|---|--|
| Low tire pressure warning lamp | Warning light comes on immediately and turns off after 1 second. |  ON 1 sec > stays OFF <small>SEIA0592E</small> | All wheel transmitters are "activated" (working). | None (system OK) |
| | Warning light blinks on for 2 seconds, then turns off for 0.2 seconds-repeats. |  ON 2 sec > OFF 0.2 sec <small>SEIA0593E</small> | All wheel transmitters are not activated. | Activate all wheel transmitters. Refer to WT-16, "Transmitter Wake Up Operation" . |
| | Warning light blinks 1 time. |  Blinks 1 time ON 0.3 sec > OFF 1.3 sec <small>SEIA0594E</small> | Front LH wheel transmitter is not activated. | Activate front LH wheel transmitter. Refer to WT-16, "Transmitter Wake Up Operation" . |
| | Warning light blinks 2 times. |  Blinks 2 times ON 0.3 sec > OFF 0.3 sec <small>SEIA0595E</small> | Front RH wheel transmitter is not activated. | Activate front RH wheel transmitter. Refer to WT-16, "Transmitter Wake Up Operation" . |
| | Warning light blinks 3 times. |  Blinks 3 times ON 0.3 sec > OFF 0.3 sec <small>SEIA0596E</small> | Rear RH wheel transmitter is not activated. | Activate rear RH wheel transmitter. Refer to WT-16, "Transmitter Wake Up Operation" . |

A
B
C
D
WT
F
G
H
I
J
K
L
M

TROUBLE DIAGNOSES

| Diagnosis Item | Symptom (Ignition switch ON) | Low tire pressure warning lamp | Cause | Action |
|--------------------------------|--|---|---|---|
| Low tire pressure warning lamp | Warning light blinks 4 times. |  Blinks 4 times ON 0.3 sec > OFF 0.3 sec <small>SEIA0597E</small> | Rear LH wheel transmitter is not activated. | Activate rear LH wheel transmitter. Refer to WT-16, "Transmitter Wake Up Operation" . |
| | Warning light comes on and does not turn off. |  Comes ON and stays ON <small>SEIA0598E</small> | The fuse for combination meter from battery is pulled out. | Check the fuse for combination meter from battery. Install or replace (if needed). |
| | | | BCM connector pulled out. | Check BCM connector. Re-connect if needed. |
| | | | Low tire pressure or low tire pressure warning system malfunction. | <ul style="list-style-type: none"> ● Perform CONSULT-II Self-Diagnosis. Refer to WT-17, "Self-Diagnosis". – Perform ID Registration if needed. Refer to WT-14, "ID Registration Procedure". |
| Turn signal lamp | Turn signal lamp does not flash 2 times or horn does not sound after transmitter activation. | | <ol style="list-style-type: none"> 1. Tool J-45295 (SST) battery low. 2. Ignition OFF during activation. 3. Tool J-45295 (SST) not positioned correctly. 4. Transmitters already activated. | <ol style="list-style-type: none"> 1. Install new battery. 2. Make sure ignition is ON during activation. 3. Position tool correctly during activation. 4. None |

NOTE:

If more than one wheel transmitter is NOT activated, the warning lamp blinking patterns for those wheels will combine. (Example: one blink/OFF/three blinks = Rear LH and Rear RH transmitters are not activated.)

CONSULT-II

CONSULT-II Main Function

In a diagnosis function (main function), there are "WORK SUPPORT", "SELF-DIAGNOSTIC RESULTS", "DATA MONITOR", "ACTIVE TEST".

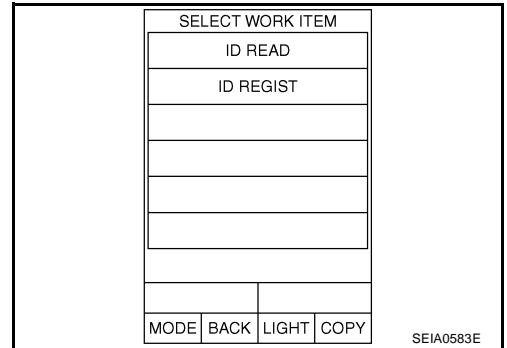
| Diagnostic test mode | Function | Reference |
|-------------------------|---|---|
| WORK SUPPORT | This mode enables a technician to adjust some devices faster and more accurately by following the indications on CONSULT-II. | WT-19, "WORK SUPPORT MODE" . |
| SELF-DIAGNOSTIC RESULTS | Self-diagnostic results can be read and erased quickly. | WT-19, "SELF-DIAGNOSTIC RESULTS MODE" . |
| DATA MONITOR | Input/Output data in the control unit can be read. | WT-20, "DATA MONITOR MODE" . |
| ACTIVE TEST | Diagnostic Test Mode in with CONSULT-II drives some actuators apart from the control unit (BCM) and also shifts some parameters in a specified range. | WT-21, "ACTIVE TEST MODE" . |

TROUBLE DIAGNOSES

WORK SUPPORT MODE

Operation Procedure

1. Touch necessary test item.
2. The "Work support" screen will be displayed, so perform the following test.

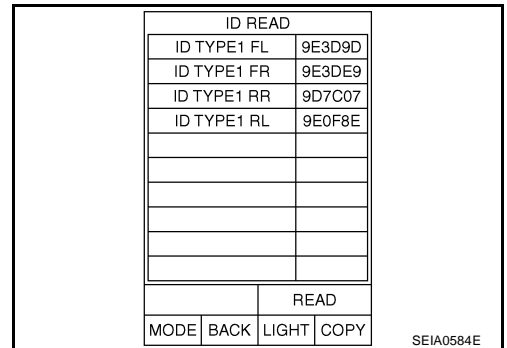


Test Item

- ID Read
- ID Regist

ID Read

The registered ID number is displayed.



ID Regist

Refer to [WT-14, "ID Registration Procedure"](#).

SELF-DIAGNOSTIC RESULTS MODE

| Diagnostic item | Diagnostic item is detected when ... |
|--|--|
| FLAT - TIRE - FL FLAT - TIRE - FR FLAT - TIRE - RR FLAT - TIRE - RL | Front-left tire pressure drops to * kPa (* kg/cm ² , * psi) or less. (Notice) Front-right tire pressure drops to * kPa (* kg/cm ² , * psi) or less. (Notice) Rear-right tire pressure drops to * kPa (* kg/cm ² , * psi) or less. (Notice) Rear-left tire pressure drops to * kPa (* kg/cm ² , * psi) or less. (Notice) |
| [NO-DATA] - FL [NO-DATA] - FR [NO-DATA] - RR [NO-DATA] - RL | Data from front-left transmitter cannot be received. Data from front-right transmitter cannot be received. Data from rear-right transmitter cannot be received. Data from rear-left transmitter cannot be received. |
| [CHECKSUM- ERR] - FL [CHECKSUM- ERR] - FR [CHECKSUM- ERR] - RR [CHECKSUM- ERR] - RL | Checksum data from front-left transmitter is malfunctioning. Checksum data from front-right transmitter is malfunctioning. Checksum data from rear-right transmitter is malfunctioning. Checksum data from rear-left transmitter is malfunctioning. |
| [PRESS DATA- ERR] - FL [PRESS DATA- ERR] - FR [PRESS DATA- ERR] - RR [PRESS DATA- ERR] - RL | Air pressure data from front-left transmitter is malfunctioning. Air pressure data from front-right transmitter is malfunctioning. Air pressure data from rear-right transmitter is malfunctioning. Air pressure data from rear-left transmitter is malfunctioning. |
| [CODE- ERR] - FL [CODE- ERR] - FR [CODE- ERR] - RR [CODE- ERR] - RL | Function code data from front-left transmitter is malfunctioning. Function code data from front-right transmitter is malfunctioning. Function code data from rear-right transmitter is malfunctioning. Function code data from rear-left transmitter is malfunctioning. |

TROUBLE DIAGNOSES

| Diagnostic item | Diagnostic item is detected when ... |
|--|--|
| [BATT - VOLT - LOW] - FL [BATT - VOLT - LOW] - FR [BATT - VOLT - LOW] - RR [BATT - VOLT - LOW] - RL | Battery voltage of front-left transmitter drops. Battery voltage of front-right transmitter drops. Battery voltage of rear-right transmitter drops. Battery voltage of rear-left transmitter drops. |
| VHCL_SPEED_SIG_ERR | Vehicle speed signal is error. |

NOTE:

Before performing the self-diagnosis, be sure to register the ID, or else the actual malfunction location may be different from that displayed on CONSULT-II.

NOTICE:

- 171 kPa (1.71 kg/cm², 25 psi) : Standard air pressure is for 210 kpa (2.1 kg/cm², 30 psi) vehicles.
- 194 kPa (1.94 kg/cm², 28 psi) : Standard air pressure is for 240 kpa (2.4 kg/cm², 35 psi) vehicles.

DATA MONITOR MODE

| MONITOR | CONDITION | SPECIFICATION |
|--|--|--|
| VEHICLE SPEED | Drive vehicle. | Vehicle speed (km/h or MPH) |
| AIR PRESS FL AIR PRESS FR AIR PRESS RR AIR PRESS RL | <ul style="list-style-type: none"> ● Drive vehicle for a few minutes. <li style="text-align: center;">or ● Ignition switch ON and activation tool is transmitting activation signals. | Tire pressure (kPa or Psi) |
| ID REGST FL 1 ID REGST FR 1 ID REGST RR 1 ID REGST RL 1 | Ignition switch ON | Registration ID: DONE No registration ID: YET |
| WARNING LAMP | | Low tire pressure warning lamp on: ON Low tire pressure warning lamp off: OFF |
| BUZZER | | Buzzer in combination meter on: ON Buzzer in combination meter off: OFF |

NOTE:

Before performing the self-diagnosis, be sure to register the ID, or else the actual malfunction location may be different from that displayed on CONSULT-II.

TROUBLE DIAGNOSES

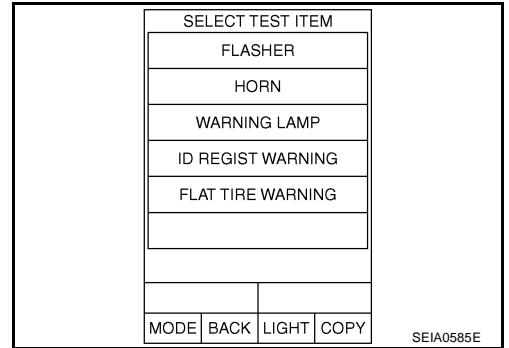
ACTIVE TEST MODE

NOTE:

Before performing the self-diagnosis, be sure to register the ID, or else the actual malfunction location may be different from that displayed on CONSULT-II.

Operation Procedure

1. Touch necessary test item.
2. The "Active Test" screen will be displayed, so perform the following test.

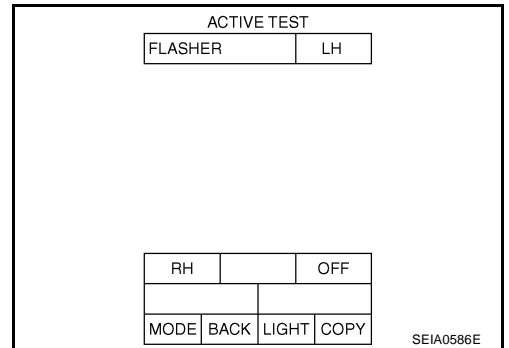


Test Item

- Flasher
- Horn
- Warning lamp
- ID regist warning
- Flat tire warning

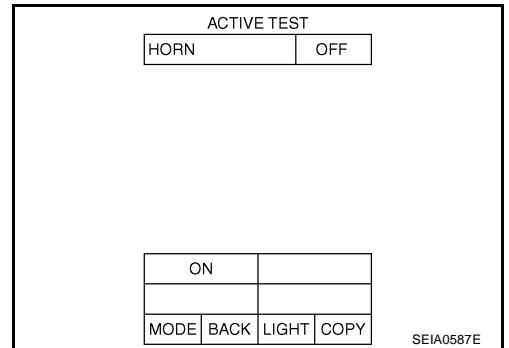
Flasher

Touch "LH" and "RH" on the display, and then check to make sure that each turn signal lamp turns on.



Horn

Touch "LH" "RH" on the display, and then check to make sure that the horn sounds.

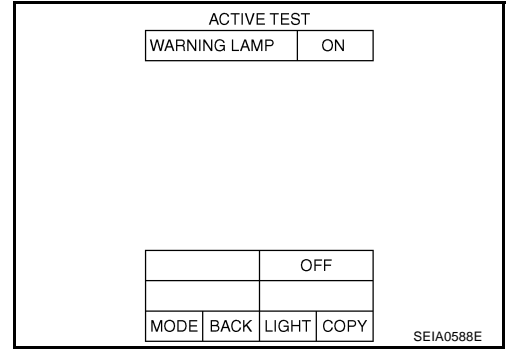


A
B
C
D
WT
F
G
H
I
J
K
L
M

TROUBLE DIAGNOSES

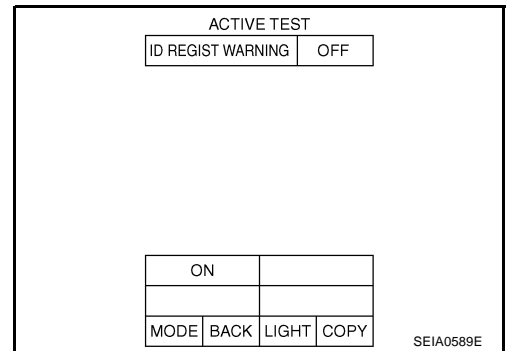
Warning lamp

Touch "LH" "RH" on the display, and then check to make sure that the warning lamp turns on.



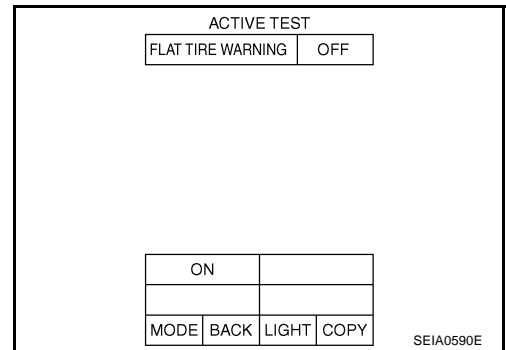
ID regist warning

Touch "LH" "RH" on the display, and then check to make sure that the buzzer sounds or the warning lamp turns on.



Flat tire warning

Touch "LH" "RH" on the display, and then check to make sure that the buzzer sounds or the warning lamp turns on.



TROUBLE DIAGNOSES

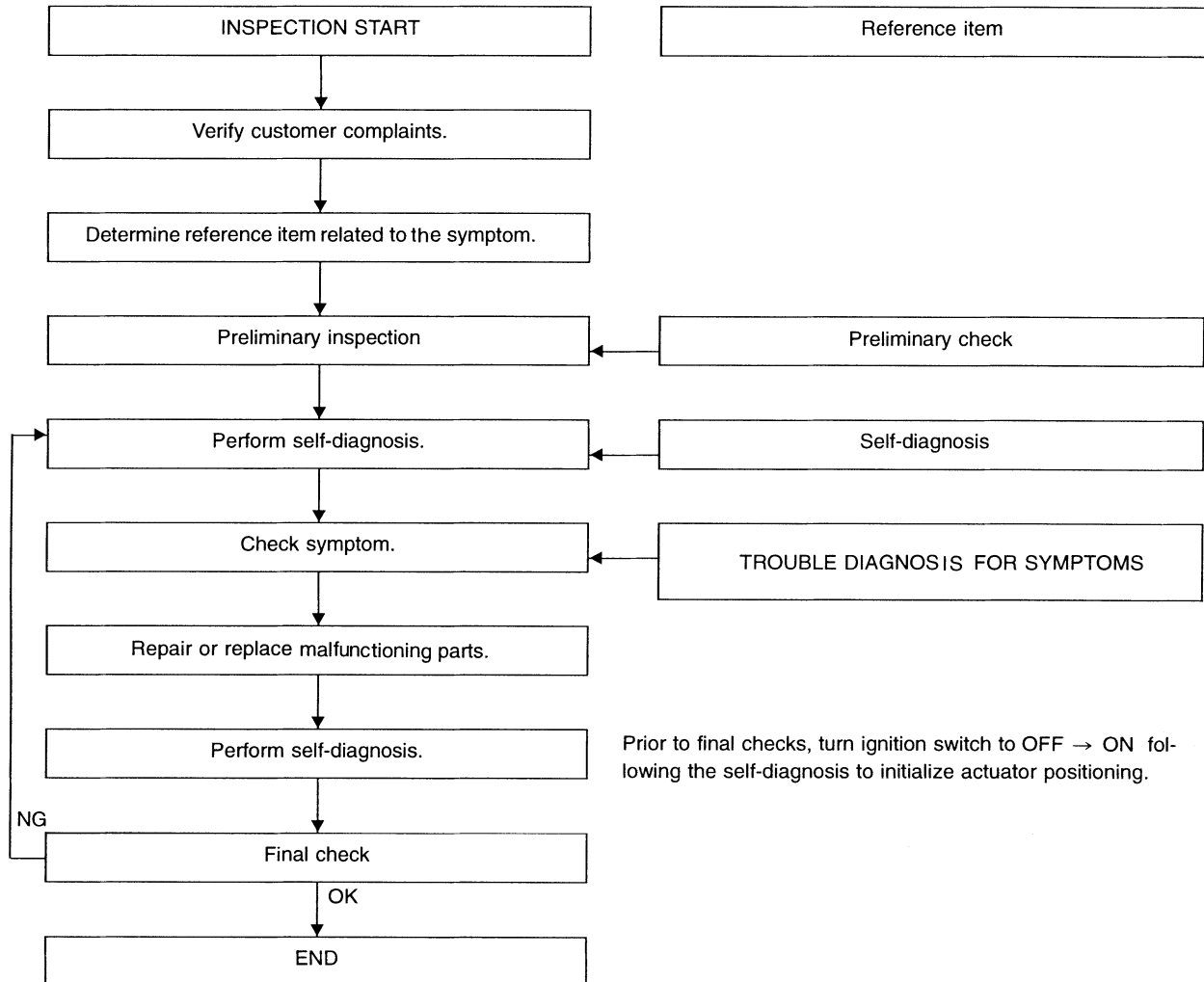
How to Perform Trouble Diagnosis for Quick and Accurate Repair

AES0010T

INTRODUCTION

- Before troubleshooting, verify customer complaints.
- If a vehicle malfunction is difficult to reproduce, harnesses, harness connectors or terminals may be malfunctioning. Hold and shake these parts to make sure they are securely connected.
- When using a circuit tester to measure voltage or resistance of each circuit, be careful not to damage or deform connector terminals.

WORK FLOW



Preliminary check: [WT-24](#)

Self-diagnosis: [WT-17](#)

Trouble diagnosis for symptoms: [WT-29](#)

SEIA0100E

Preliminary Check

BASIC INSPECTION

1. CHECK ALL TIRE PRESSURES

- Check all tire pressures. Refer to [WT-35, "Tire"](#) .

OK or NG

OK >> GO TO 2.

NG >> Adjust tire pressure to specified value.

2. CHECK LOW TIRE PRESSURE WARNING LAMP ACTIVATION

1. Check low tire pressure warning lamp activation.
2. Does low tire pressure warning lamp activate for 1 second when ignition switch is turned "ON"?

Does warning lamp activate?

YES >> GO TO 3.

NO >> Check fuse and combination meter.

3. CHECK CONNECTOR

1. Disconnect BCM harness connectors M1 and M2.
2. Check terminals for damage or loose connection.

OK or NG

OK >> GO TO 4.

NG >> Repair or replace damaged parts.

4. CHECK ACTIVATION TOOL

- Check transmitter activation tool battery.

OK or NG

OK >> Perform self-diagnosis.

NG >> Replace transmitter activation tool battery.

TROUBLE DIAGNOSES

Malfunction Code/Symptom Chart

AES0010V

| Code/Symptom | Malfunction part | Reference page |
|--|--|-----------------------|
| 15 16 17 18 | Front-left tire pressure drops to * kPa (* kg/cm ² , * psi) or less. (Notice) Front-right tire pressure drops to * kPa (* kg/cm ² , * psi) or less. (Notice) Rear-right tire pressure drops to * kPa (* kg/cm ² , * psi) or less. (Notice) Rear-left tire pressure drops to * kPa (* kg/cm ² , * psi) or less. (Notice) | — |
| 21 22 23 24 | Transmitter no data (front - left) Transmitter no data (front - right) Transmitter no data (rear - right) Transmitter no data (rear - left) | WT-26 |
| 31 32 33 34 | Transmitter checksum error (front - left) Transmitter checksum error (front - right) Transmitter checksum error (rear - right) Transmitter checksum error (rear - left) | WT-26 |
| 35 36 37 38 | Transmitter pressure data error (front - left) Transmitter pressure data error (front - right) Transmitter pressure data error (rear - right) Transmitter pressure data error (rear - left) | WT-27 |
| 41 42 43 44 | Transmitter function code error (front - left) Transmitter function code error (front - right) Transmitter function code error (rear - right) Transmitter function code error (rear - left) | WT-26 |
| 45 46 47 48 | Transmitter battery voltage low (front - left) Transmitter battery voltage low (front - right) Transmitter battery voltage low (rear - right) Transmitter battery voltage low (rear - left) | WT-26 |
| 52 | Vehicle speed signal | WT-28 |
| Warning lamp does not come on when ignition switch is turned on. | Fuse or combination meter BCM connector or circuit BCM | WT-29 |
| Warning lamp stays on when ignition switch is turned on. | Combination meter BCM connector or circuit BCM | WT-29 |
| Warning lamp blinks when ignition switch is turned on. | BCM connector or circuit BCM Transmitter's mode off ID registration not yet | WT-31 |
| Turn signal lamp blinks when ignition switch is turned on. | BCM connector or circuit BCM | WT-32 |
| ID registration can not be operated. | Transmitter Remote keyless entry receiver connector or circuit Remote keyless entry receiver BCM connector or circuit BCM | WT-32 |

NOTICE:

- 171 kPa (1.71 kg/cm² , 25 psi) : Standard air pressure is for 210 kpa (2.1 kg/cm² , 30 psi) vehicles.
- 194 kPa (1.94 kg/cm² , 28 psi) : Standard air pressure is for 240 kpa (2.4 kg/cm² , 35 psi) vehicles.

TROUBLE DIAGNOSIS FOR SELF-DIAGNOSTIC ITEMS

TROUBLE DIAGNOSIS FOR SELF-DIAGNOSTIC ITEMS

PFP:00000

Inspection 1: Transmitter or Control Unit (BCM)

AES0010J

MALFUNCTION CODE NO. 21, 22, 23 OR 24

1. CHECK CONTROL UNIT

- Drive for several minutes. Check all tire pressures with CONSULT-II "DATA MONITOR ITEM".

Are all tire pressures displayed 0 kPa?

- YES >> GO TO 2.
NO >> GO TO 3.

2. CHECK REMOTE KEYLESS ENTRY RECEIVER CONNECTOR

1. Disconnect remote keyless entry receiver harness connector M78.
2. Check terminals for damage or loose connection.
3. Reconnect harness connector.

OK or NG

- OK >> Replace BCM refer to [BCS-15, "Removal and Installation of BCM"](#), then GO TO 3.
NG >> Repair or replace remote keyless entry receiver harness connector.

3. ID REGISTRATION

- Perform ID registration of all transmitters.

Are there any tires that ID can not be registered to?

- YES >> Replace transmitter of the tire, then GO TO 5.
NO >> GO TO 4.

4. VEHICLE DRIVING

- Drive at a speed of 40 km/h (25 MPH) or more for several minutes without stopping.
Check all tire pressures with CONSULT-II "DATA MONITOR ITEM" within 15 minutes after vehicle speed becomes 17 km/h (11 MPH).

Does "DATA MONITOR ITEM" display tire pressure as normal without any warning lamp?

- YES >> INSPECTION END
NO >> GO TO 5.

5. ID REGISTRATION AND VEHICLE DRIVING

1. Perform ID registration of all transmitters.
2. Drive at a speed of 40 km/h (25 MPH) or more for 3 minutes, and then drive the vehicle at any speed for 10 minutes. Then check all tire pressures with CONSULT-II "DATA MONITOR ITEM" within 5 minutes.

Does "DATA MONITOR ITEM" display tire pressure as normal without any warning lamp?

- YES >> INSPECTION END
NO >> GO TO the inspection applicable to DTC.

Inspection 2: Transmitter - 1

AES0010K

MALFUNCTION CODE NO. 31, 32, 33, 34, 41, 42, 43, 44, 45, 46, 47 OR 48

1. ID REGISTRATION (CORRECTION OF TRANSMITTER LOCATION)

1. Perform ID registration of all transmitters.
2. Drive at a speed of 40 km/h (25 MPH) or more for 3 minutes, and then drive the vehicle at any speed for 10 minutes.

>> GO TO 2.

TROUBLE DIAGNOSIS FOR SELF-DIAGNOSTIC ITEMS

2. REPLACE TRANSMITTER

1. Check low tire pressure warning condition again, and replace malfunctioning transmitter.
2. Perform ID registration of all transmitter.

Can ID registration of all transmitters be completed?

YES >> GO TO 3.

NO >> GO TO the inspection 1. Refer to [WT-26, "Inspection 1: Transmitter or Control Unit \(BCM\)"](#) .

3. VEHICLE DRIVING

- Drive at a speed of 40 km/h (25 MPH) or more for 3 minutes, and then drive the vehicle at any speed for 10 minutes. Then check all tire pressures with CONSULT-II "DATA MONITOR ITEM" within 5 minutes.

Does "DATA MONITOR ITEM" display tire pressure as normal without any warning lamp?

YES >> INSPECTION END

NO >> Replace malfunctioning transmitter, and perform "Step 3" again.

Inspection 3: Transmitter - 2 MALFUNCTION CODE NO. 35, 36, 37 OR 38

AES0010L

1. CHECK ALL TIRE PRESSURES

- Check all tire pressures. Refer to [WT-35, "Tire"](#) .

Are there any tires whose pressure is "64 psi" or more?

YES >> Adjust tire pressure to specified value.

NO >> GO TO 2.

2. VEHICLE DRIVING

1. Perform ID registration of all transmitters.
2. Drive at a speed of 40 km/h (25 MPH) or more for several minutes without stopping. Check all tire pressures with CONSULT-II "DATA MONITOR ITEM" within 15 minutes after vehicle speed becomes 17 km/h (11 MPH).

>> Replace transmitter with new one if "DATA MONITOR ITEM" display 64 psi or more. Then GO TO 3.

3. ID REGISTRATION AND VEHICLE DRIVING

1. Perform ID registration of all transmitters.
2. Drive at a speed of 40 km/h (25 MPH) or more for 3 minutes, and then drive the vehicle at any speed for 10 minutes. Then check all tire pressures with CONSULT-II "DATA MONITOR ITEM" within 5 minutes.

Does "DATA MONITOR ITEM" display tire pressure as normal without any warning lamp?

YES >> INSPECTION END

NO >> GO TO the inspection applicable to DTC.

TROUBLE DIAGNOSIS FOR SELF-DIAGNOSTIC ITEMS

Inspection 4: Vehicle Speed Signal MALFUNCTION CODE NO. 52

AES0010M

1. CHECK SELF-DIAGNOSTIC RESULTS

1. With the ignition switch OFF, connect CONSULT-II and CONSULT-II CONVERTER to the data link connector, then turn the ignition switch ON.
2. Select "START (NISSAN BASED VHCL)".
3. Select "BCM" on "SELECT SYSTEM" screen.

NOTE:

If "BCM" is not indicated, go to [GI-38, "CONSULT-II Data Link Connector \(DLC\) Circuit"](#) .

4. Select "BCM C/U" on "SELECT SYSTEM" screen.
5. Select "SELF-DIAG RESULTS" on "SELECT DIAG MODE" screen.
6. Check display contents in self-diagnostic results.

Is "CAN COMM CIRCUIT" displayed in the self-diagnosis display items?

- YES >> Malfunction in CAN communication system. GO TO [LAN-2, "Precautions When Using CONSULT-II"](#) .
- NO >> No malfunction. Check combination meter refer to [DI-13, "Vehicle Speed Signal Inspection"](#) .

TROUBLE DIAGNOSIS FOR SYMPTOMS

PFP:00007

Inspection 1: Warning Lamp Does Not Come On When Ignition Switch Is Turned On

AES0010N

DIAGNOSTIC PROCEDURE

1. CHECK SELF-DIAGNOSTIC RESULTS

1. With the ignition switch OFF, connect CONSULT-II and CONSULT-II CONVERTER to the data link connector, then turn the ignition switch ON.
2. Select "START (NISSAN BASED VHCL)".
3. Select "BCM" on "SELECT SYSTEM" screen.

NOTE:

If the "BCM" is not indicated, go to [GI-38, "CONSULT-II Data Link Connector \(DLC\) Circuit"](#) .

4. Select "BCM C/U" on "SELECT WORK ITEM" screen, and select "SELF-DIAG RESULTS".
5. Select "SELF-DIAG RESULTS" on "SELECT DIAG MODE" screen.
6. Check display contents in self-diagnostic results.

Is "CAN COMM CIRCUIT" displayed in the self-diagnosis display items?

YES >> Malfunction in CAN communication system. GO TO [LAN-2, "Precautions When Using CONSULT-II"](#) .

NO >> No malfunction. GO TO 2.

2. CHECK COMBINATION METER

- Check combination meter function.

OK or NG

OK >> GO TO 3.

NG >> Check combination meter. Refer to [DI-4, "System Description"](#) .

3. CHECK LOW TIRE PRESSURE WARNING LAMP

- Disconnect BCM harness connectors M1 and M2.

Does the warning lamp activate?

YES >> Replace BCM. Refer to [BCS-15, "Removal and Installation of BCM"](#) .

NO >> Check combination meter and repair or replace.

Inspection 2: Warning Lamp Stays On When Ignition Switch Is Turned On

AES00100

DIAGNOSTIC PROCEDURE

1. CHECK CONNECTOR

1. Disconnect BCM harness connectors M1 and M2.
2. Check terminals for damage or loose connections.

OK or NG

OK >> GO TO 2.

NG >> Repair or replace damaged parts.

TROUBLE DIAGNOSIS FOR SYMPTOMS

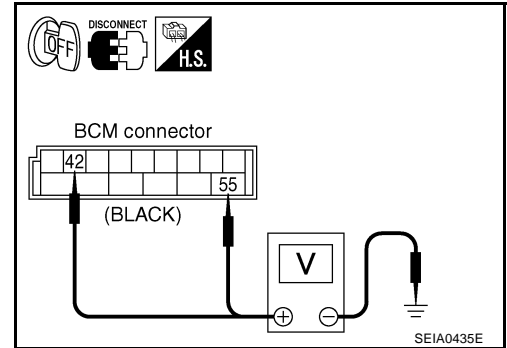
2. CHECK POWER SUPPLY CIRCUIT (BATTERY)

Measure voltage between BCM harness connector M2 terminals 42 (GY), 55 (R) and ground.

| Terminal | | Voltage |
|-----------|--------------------------|---------|
| (+) | (-) | |
| Connector | Terminal (Wire color) | Ground |
| M2 | 42 (GY), 55 (W/R) | |
| | | 12V |

OK or NG

- OK >> GO TO 3.
- NG >> Check BCM power supply circuit for open or short.



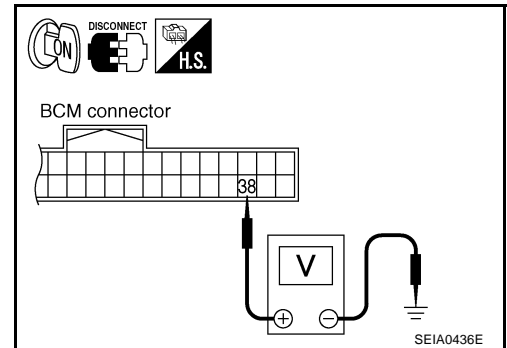
3. CHECK POWER SUPPLY CIRCUIT (IGN)

1. Turn ignition switch ON.
2. Measure voltage between BCM harness connector M1 terminal 38 (W/L) and ground.

| Terminal | | Voltage |
|-----------|--------------------------|---------|
| (+) | (-) | |
| Connector | Terminal (Wire color) | Ground |
| M1 | 38 (W/L) | |
| | | 12V |

OK or NG

- OK >> GO TO 4.
- NG >> Check BCM power supply circuit for open or short.



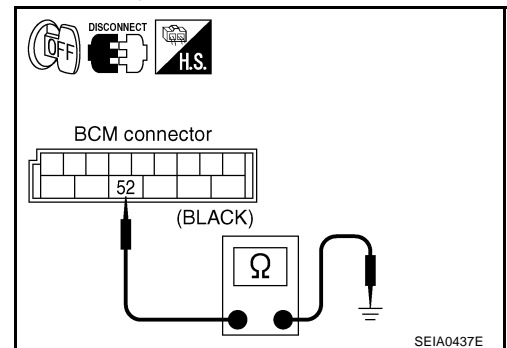
4. CHECK GROUND CIRCUIT

- Check continuity between BCM harness connector M2 terminal 52 (B) and ground.

| Terminal | | Continuity |
|-----------|--------------------------|---------------|
| (+) | (-) | |
| Connector | Terminal (Wire color) | Ground |
| M2 | 52 (B) | |
| | | Should exist. |

OK or NG

- OK >> Replace BCM. Refer to [BCS-15, "Removal and Installation of BCM"](#).
- NG >> Repair or replace BCM ground circuit.



TROUBLE DIAGNOSIS FOR SYMPTOMS

Inspection 3: Warning Lamp Blinks When Ignition Switch Is Turned On

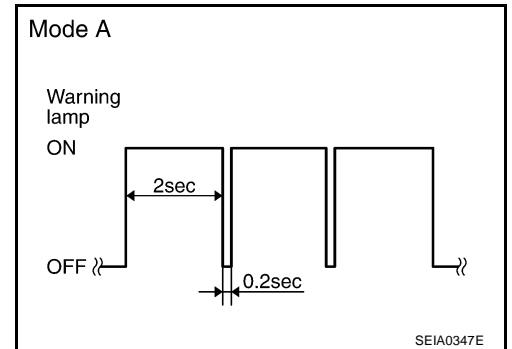
AES0010P

NOTE:

If warning lamp blinks below, the system is normal.

Blink Mode A

- This mode shows transmitter status is OFF-mode. Perform transmitter wake up operation. Refer to [WT-16, "Transmitter Wake Up Operation"](#).



DIAGNOSTIC PROCEDURE

1. CHECK CONNECTOR

- Disconnect BCM harness connector M1.
- Check terminals for damage or loose connections.

OK or NG

- OK >> GO TO 2.
 NG >> Repair or replace damaged parts.

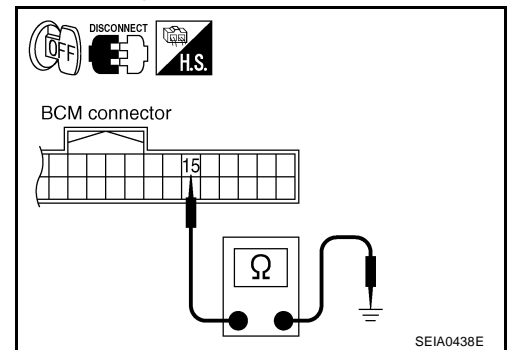
2. CHECK TIRE PRESSURE WARNING CHECK SWITCH CIRCUIT

- Check continuity between BCM harness connector M1 terminal 15 (G) and ground.

| Terminal | | Continuity |
|-----------|-----------------------|-------------------|
| (+) | (-) | |
| Connector | Terminal (Wire color) | Ground |
| M1 | 15 (W) | Should not exist. |

OK or NG

- OK >> Replace BCM. Refer to [BCS-15, "Removal and Installation of BCM"](#).
- NG >> Repair or replace harness connector.



TROUBLE DIAGNOSIS FOR SYMPTOMS

Inspection 4: Turn Signal Lamp Blinks When Ignition Switch Is Turned On

AES0010Q

DIAGNOSTIC PROCEDURE

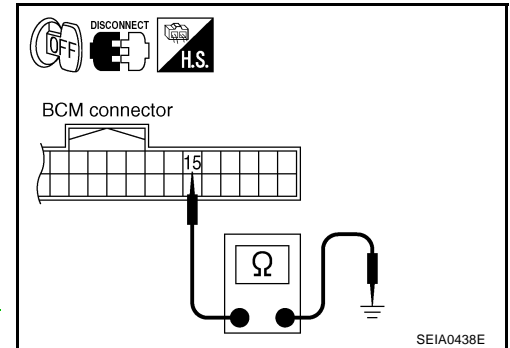
1. CHECK TIRE PRESSURE WARNING CHECK SWITCH CIRCUIT

- Check continuity between BCM harness connector M1 terminal 15 (W) and ground.

| Terminal | | Continuity | |
|-----------|--------------------------|------------|-------------------|
| (+) | (-) | | |
| Connector | Terminal (Wire color) | Ground | Should not exist. |
| M1 | 15 (W) | | |

OK or NG

- OK >> Check turn signal lamp operation. Refer to [LT-113, "System Description"](#).
- NG >> Repair or replace harness connector.



Inspection 5: ID Registration Can not Be Completed

AES0010R

DIAGNOSTIC PROCEDURE

1. ID REGISTRATION (ALL)

- Perform ID registration of all transmitter.

Can ID registration of all transmitters be completed?

- YES >> INSPECTION END
- NO >> GO TO [WT-26, "TROUBLE DIAGNOSIS FOR SELF-DIAGNOSTIC ITEMS"](#).

REMOVAL AND INSTALLATION

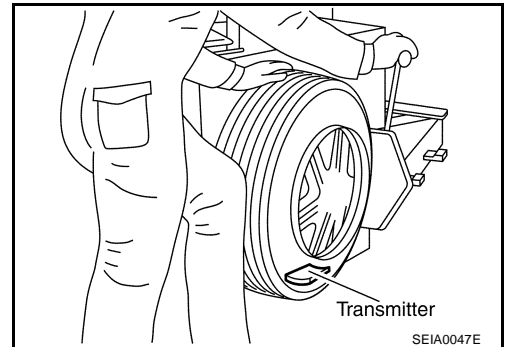
REMOVAL AND INSTALLATION

PPF:00000

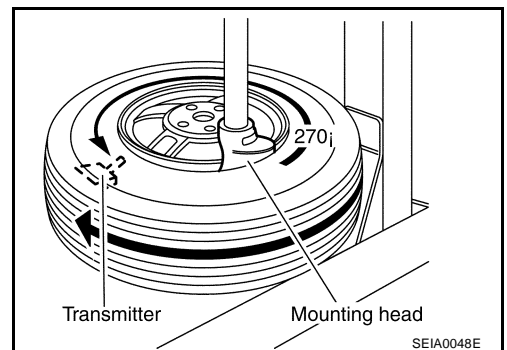
Transmitter REMOVAL

AES0010S

1. Deflate tire. Unscrew transmitter retaining nut and allow transmitter to fall into tire.
2. Gently bounce tire so that transmitter falls to bottom of tire. Place on tire changing machine and break both tire beads ensuring that the transmitter remains at the bottom of the tire.

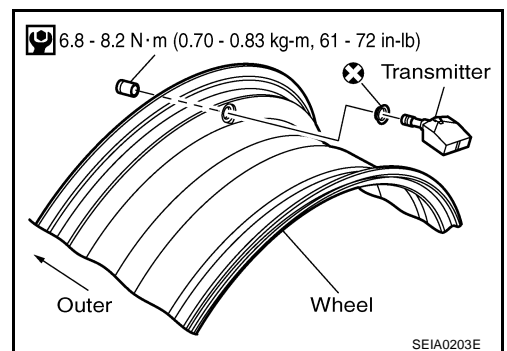
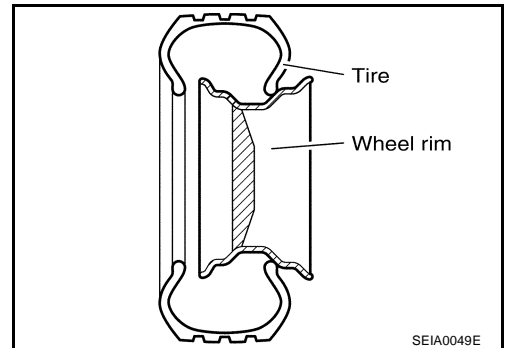


3. Turn tire so that valve hole is at bottom and bounce so that transmitter is near valve hole. Carefully lift tire onto turntable and position valve hole (and transmitter) 270 degree from mounting/dismounting head.
4. Lubricate tire well and remove first side of the tire. Reach inside the tire and remove the transmitter.



INSTALLATION

1. Put first side of tire onto rim.
2. Mount transmitter on rim and tighten nut.



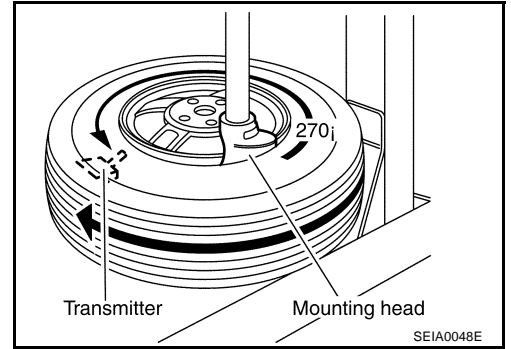
A
B
C
D
WT
F
G
H
I
J
K
L
M

REMOVAL AND INSTALLATION

3. Place wheel on turntable of tire machine. Ensure that transmitter is 270 degree from mounting head when second side of tire is fitted.

NOTE:

Do not touch transmitter at mounting head.



4. Lubricate tire well and fit second side of tire as normal. Ensure that tire does not rotate relative to rim.
5. Inflate tire and fit to appropriate wheel position.

SERVICE DATA AND SPECIFICATIONS (SDS)

SERVICE DATA AND SPECIFICATIONS (SDS)

PPF:00030

Road Wheel

AES000G5

A
B
C
D

| Standard item | | Allowable value | |
|--|----------------------------|------------------------------------|--------------------------------|
| | | Aluminum | Steel for emergency use |
| Deflection limit | Lateral deflection | Less than 0.3 mm (0.012 in) | Less than 1.5 mm (0.059 in) |
| | Vertical deflection | Less than 0.3 mm (0.012 in) | Less than 1.5 mm (0.059 in) |
| Allowable quantity of residual unbalance | Dynamic (At rim flange) | Less than 10g (0.35 oz) (per side) | |
| | Static (At rim flange) | Less than 20g (0.70 oz) | |

WT

Tire

AES000G6

Unit: kPa (kg/cm², psi)

F
G
H
I
J
K
L
M

| Tire size | Air pressure | |
|----------------|---------------|---------------|
| | Front tire | Rear tire |
| P225/50R17 93V | 210 (2.1, 30) | — |
| P235/50R17 95V | — | 210 (2.1, 30) |
| 225/45R18 91W | 240 (2.4, 35) | — |
| 245/45R18 96W | — | 240 (2.4, 35) |
| 225/40 R19 89Y | 240 (2.4, 35) | — |
| 245/40 R19 94Y | — | 240 (2.4, 35) |
| T145/80D17 | 420 (4.2, 60) | |

SERVICE DATA AND SPECIFICATIONS (SDS)
